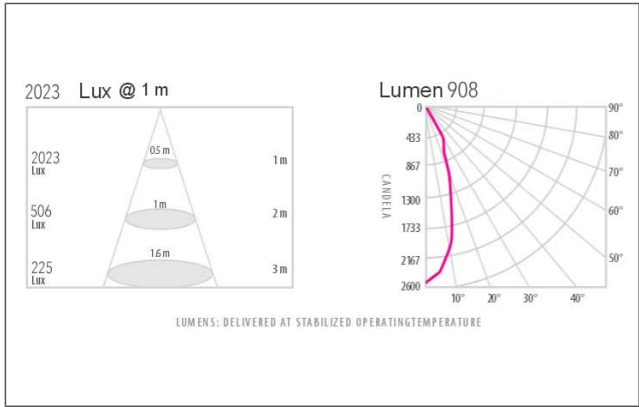
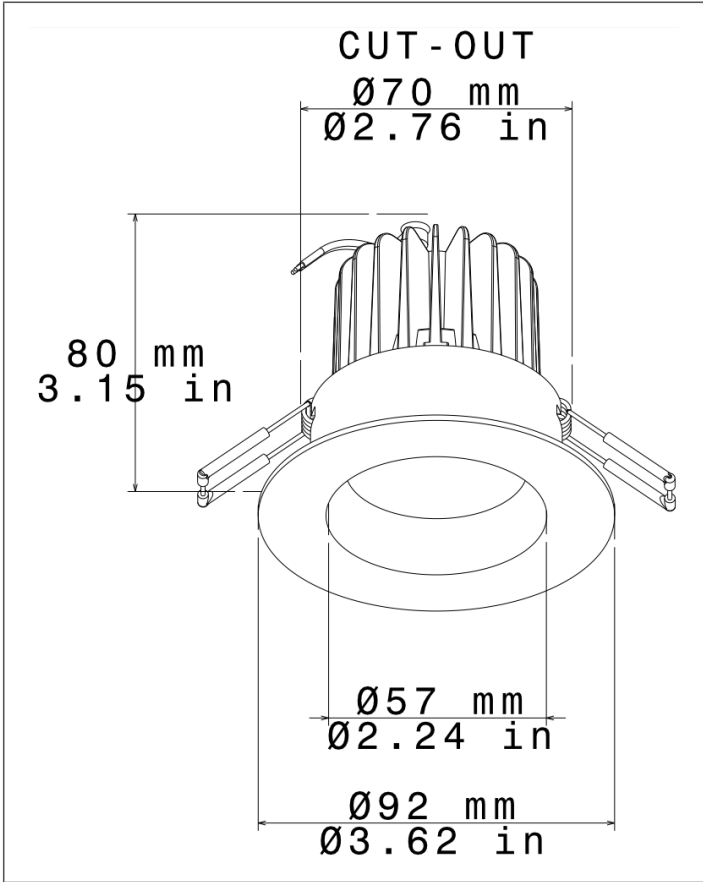


Project:
Type:
Contact:

2 in." 908lm
Trimmed | Round | Fixed

Downlight R2

CCT: 3000k CRI: 80	13W
Source Lumens	1250
Delivered Lumens	908
Lumens Watt	70
Current	280 mA



Family	Name	Source	Optics	Finish	Elec.	Encl. & IP				
OPTICS	MODEL	TOTAL WATT	KELVINTEMP	CRI	BEAM	EFFECT	COLOR	DRIVER	HOUSING	IP
D2	R2	13	30	80	3	C	WS	0	undefined	P

Generated on **Wednesday 4th of October, 2023 - 09:59:09 AM**